

# Sales Bulletin



## Ideal For Transit Buses and Motorcoaches



**3**  
diodes

**MADE IN**  
**USA**

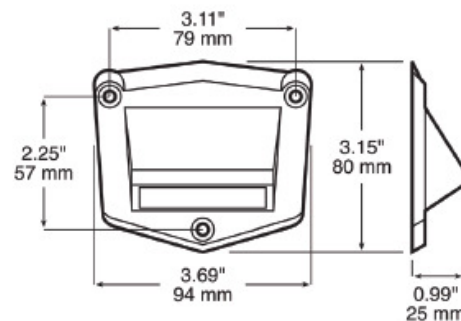
**HARD**  
**WIRED**

**MV**  
Multi-Volt  
12V & 24V

### 397C Great White® LED Step Well / Courtesy Light

- Meets ADA requirements for step well lighting.
- Low profile, hardwired design is perfect for transit, bus & RV use.
- Multi-volt design is compatible with both 12 and 24 volt systems.
- Sealed circuit board with two hardwired leads.
- Includes mounting gasket, 3 mounting screws and 3 matching screw covers.

Order No.	Description
397C-MV	black, stripped leads



Form No. 397-0217-T



# CDL AUTOPARTS LTD

9a Earl Richardson Ave, Manukau | Phone: 09 262 1417 | Fax: 09 262 1441  
[sales@cdlautoparts.co.nz](mailto:sales@cdlautoparts.co.nz) | [www.cdlautoparts.co.nz](http://www.cdlautoparts.co.nz)