

Sales Bulletin

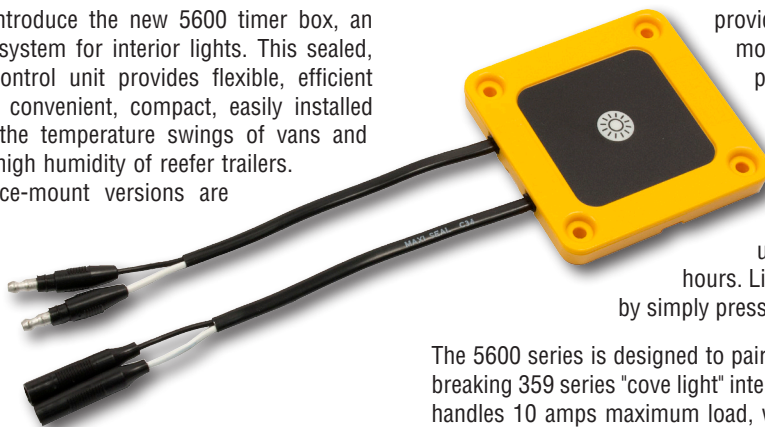


New 5600 Timer Box Enhances PM LED Interior Lights

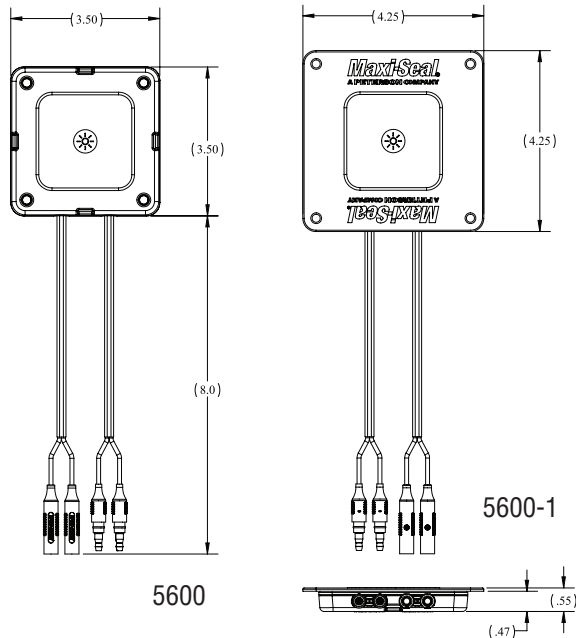
Peterson is excited to introduce the new 5600 timer box, an ingenious new control system for interior lights. This sealed, solid-state electronic control unit provides flexible, efficient switching of LED lights in a convenient, compact, easily installed product designed to handle the temperature swings of vans and service bodies as well as the high humidity of reefer trailers. Both flush-mount and surface-mount versions are available.

A single push of the 5600's sealed membrane button provides 30 minutes of timed illumination. Two minutes prior to turning off, the system thoughtfully

provides a "curtain call" warning by momentarily dimming the lights. The power-on time can be extended by pressing the button again at any time. The box will accept up to four button pushes, extending the lights-on time in 30-minute increments up to a total uninterrupted illumination time of 2 hours. Lights can be turned off immediately by simply pressing and holding the button.



The 5600 series is designed to pair perfectly with Peterson's ground-breaking 359 series "cove light" interior LED units. The 5600's circuitry handles 10 amps maximum load, which is robust enough handle up to 12 daisy-chained 359-3 cove lights, for 9600 total system lumens!

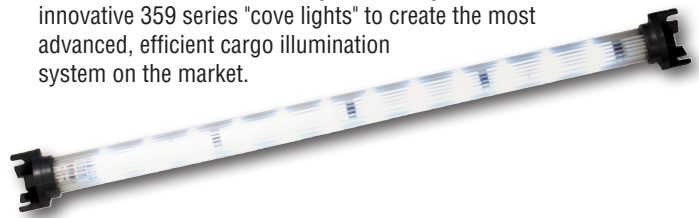


5600 Timer Box Switch

- 10 amp maximum load.
- Pre-programmed for 30 minutes of ON time per button push.
- Additional time can be added at any time.
- Lights flash per button push to indicate that command is received.
- Pushing and holding button turns off lights at any time.
- "2 minute warning" slowly dims and raises light level prior to shut-off.
- 9-32 volt operating range.

Order No.	Description	Pack	Std Carton
5600	surface mount	mfg. pack	1
5600-1	recessed mount	mfg. pack	1

The 5600 timer switch is designed to integrate with Peterson's innovative 359 series "cove lights" to create the most advanced, efficient cargo illumination system on the market.



CDL AUTO PARTS
9a Earl Richardson Ave
Manukau, Auckland 2104
PO Box 97-146
Manukau, Auckland 2241
Telephone: 09 262 1417
Facsimilie: 09 262 1441
Email: sales@cdlautoparts.co.nz
Web: www.cdlautoparts.co.nz



PETERSON

4200 East 135th Street • Grandview, MO 64030
Phone (816) 765-2000 • Fax (816) 761-6693
E-mail pmco@pmlights.com www.pmlights.com